

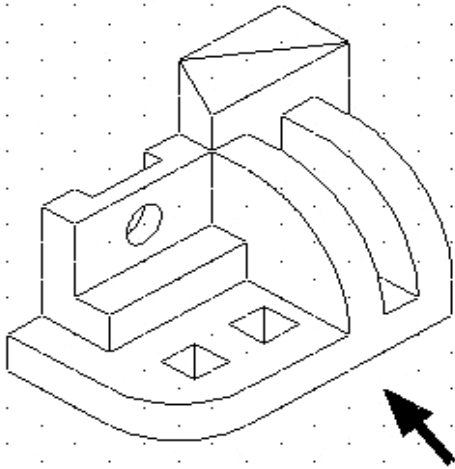
IDNO:

NAME:

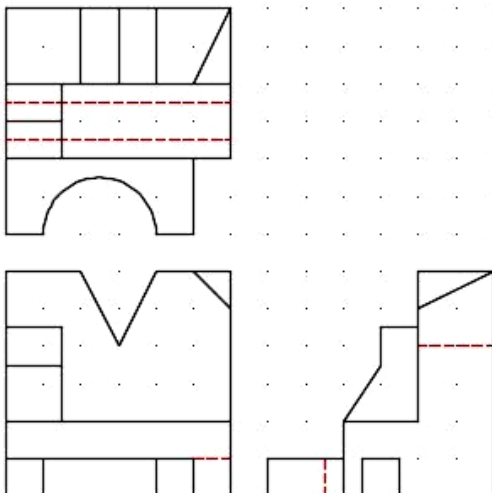
General Instructions:

- A. Save the file as usual with your id number, taking last two characters as marked in Question paper set as above. You can set Ortho and Iso grids as per requirement in the same.
- B. Use standard colour codes [Visible lines (black/bylayer), Hidden lines (Red), Center lines (blue), Construction lines (yellow), Projection lines (cyan)].
- C. For rough work use grid space provided in the question paper itself (front as well as back).
- D. For question 1, take one grid space equals to 25 mm.

- Q1. The point A of line AB is in both HP and VP. The point A is on the left side of the observer. The point B of the line lies in first quadrant at 200 mm above HP and 75 mm in front of VP. The front view length is 250 mm. Draw the projections. Calculate the top view length, true length, apparent angles and true angles. [15]
- Q2. Isometric drawing of an object is given in the figure below. Draw the three ORTHOGRAPHIC VIEWS in third angle with proper alignment. Arrow indicates front direction. (Draw hidden lines in RED) [15]



- Q3. The Figure below shows three orthographic views of an object in the third quadrant. Draw the ISOMETRIC DRAWING of the object. (Retain the Construction box/Glass box in YELLOW). [20]



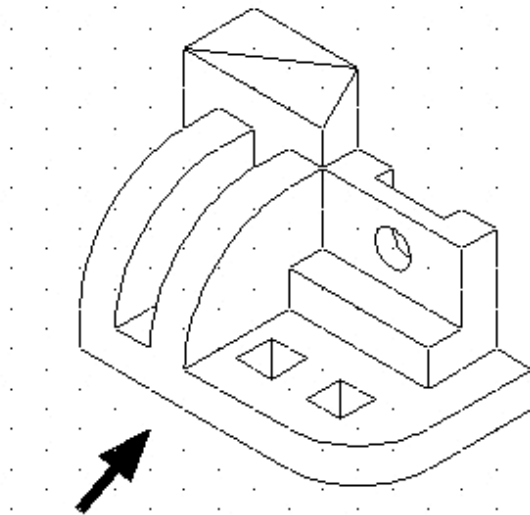
IDNO:

NAME:

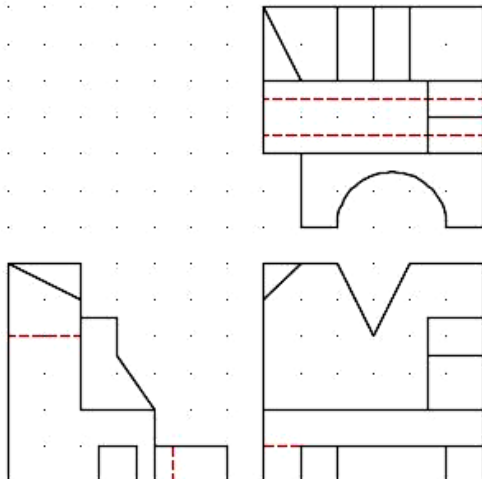
General Instructions:

- A. Save the file as usual with your id number, taking last two characters as marked in Question paper set as above. You can set Ortho and Iso grids as per requirement in the same.
- B. Use standard colour codes [Visible lines (black/bylayer), Hidden lines (Red), Center lines (blue), Construction lines (yellow), Projection lines (cyan)].
- C. For rough work use grid space provided in the question paper itself (front as well as back).
- D. For question 1, take one grid space equals to 25 mm.

- Q1. The point B of line AB is in both HP and VP. The point B is on the right side of the observer. The point A of the line lies in first quadrant at 200 mm above HP and 75 mm in front of VP. The front view length is 250 mm. Draw the projections. Calculate the top view length, true length, apparent angles and true angles. [15]
- Q2. Isometric drawing of an object is given in the figure below. Draw the three ORTHOGRAPHIC VIEWS in third angle with proper alignment. Arrow indicates front direction. (Draw hidden lines in RED) [15]



- Q3. The Figure below shows three orthographic views of an object in the third quadrant. Draw the ISOMETRIC DRAWING of the object. (Retain the Construction box/Glass box in YELLOW). [20]



IDNO:

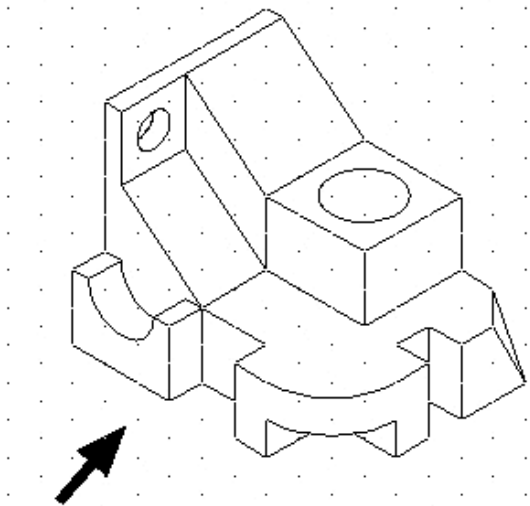
NAME:

General Instructions:

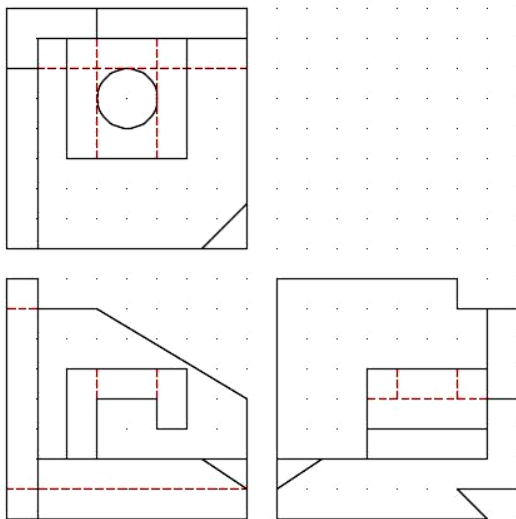
- A. Save the file as usual with your id number, taking last two characters as marked in Question paper set as above. You can set Ortho and Iso grids as per requirement in the same.
- B. Use standard colour codes [Visible lines (black/bylayer), Hidden lines (Red), Center lines (blue), Construction lines (yellow), Projection lines (cyan)].
- C. For rough work use grid space provided in the question paper itself (front as well as back).
- D. For question 1, take one grid space equals to 25 mm.

Q1. The point A of a line AB is on VP and 150 mm above HP. Point A is on the left side of the observer. Point B is on HP and 100 mm in front of VP. The front view length is 175 mm. Draw the projections. Calculate the true length, apparent angles and true angles. [15]

Q2 Isometric drawing of an object is given in the figure below. Draw the three ORTHOGRAPHIC VIEWS in third angle with proper alignment. Arrow indicates front direction. (Draw hidden lines in RED) [15]



Q3. The Figure below shows three orthographic views of an object in the third quadrant. Draw the ISOMETRIC DRAWING of the object. (Retain the Construction box/Glass box in YELLOW). [20]



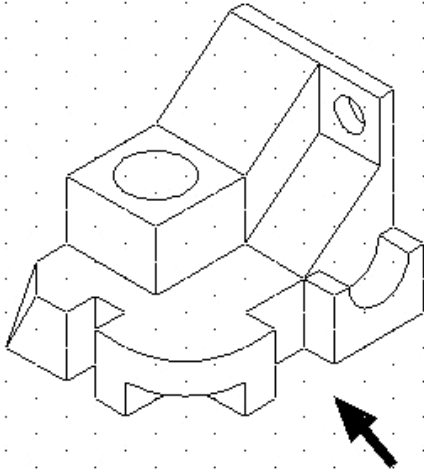
IDNO:

NAME:

General Instructions:

- A. Save the file as usual with your id number, taking last two characters as marked in Question paper set as above. You can set Ortho and Iso grids as per requirement in the same.
- B. Use standard colour codes [Visible lines (black/bylayer), Hidden lines (Red), Center lines (blue), Construction lines (yellow), Projection lines (cyan)].
- C. For rough work use grid space provided in the question paper itself (front as well as back).
- D. For question 1, take one grid space equals to 25 mm.

- Q1. The point A of a line AB is on HP and 150 mm in front of VP. Point A is on the left side of the observer. Point B is on VP and 100 mm above HP. The top view length is 175 mm. Draw the projections. Calculate the true length, apparent angles and true angles. [15]
- Q2. Isometric drawing of an object is given in the figure below. Draw the three ORTHOGRAPHIC VIEWS in third angle with proper alignment. Arrow indicates front direction. (Draw hidden lines in RED) [15]



- Q3. The Figure below shows three orthographic views of an object in the third quadrant. Draw the ISOMETRIC DRAWING of the object. (Retain the Construction box/Glass box in YELLOW). [20]

